

TS2002

Over-wrapping Machine

Replication Technology, Inc.
Tel: (707) 255-8800, Fax: (707) 255-8889

The TS-2002 is a multi-purpose Case Overwrapping Machine. It can be converted into overwrapping audio cassette to chocolate box.

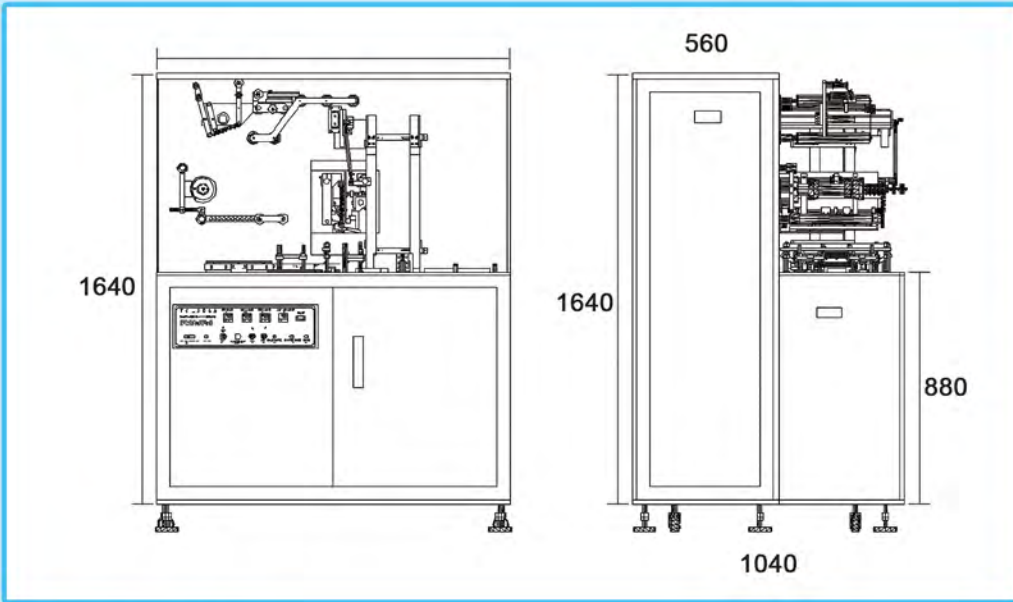
It produces up to 50 wrapped product per minute. It is designed to meet and exceed our customer's packaging needs.

The TS-2002 is a user-friendly, robust and reliable low maintenance solution to overwrapping. It can be operated by a single operator with the optional collection table to reduce labor cost.

Specifications:

Machine Dimension: 1350 x 1040 x 1640 mm
Power: 110VAC Single Phase
Motor: 2Hp
Speed: Adjustable to Max. 50 pcs/min.
Packaged Case dimension: Length : 145mm (max.)
Width : 220mm (max.)
Height : 30mm (max.)





TS2002

Over-wrapping Machine

The TS-2002 is a multi-purpose case Overwrapping Machine. It can be converted into overwrapping cigarette boxes to DVD cases.

It produces up to 50 wrapped product per minute. It is designed to meet and exceed our customer's packaging needs.

The TS-2002 is a user-friendly, robust and reliable low maintenance solution to overwrapping. It can be operated by a single operator with the optional collection table to reduce labor cost.

Specifications:

Machine Dimension: 1350 x 1040 x 1640 mm

Power: 110VAC Single Phase

Motor: 2Hp

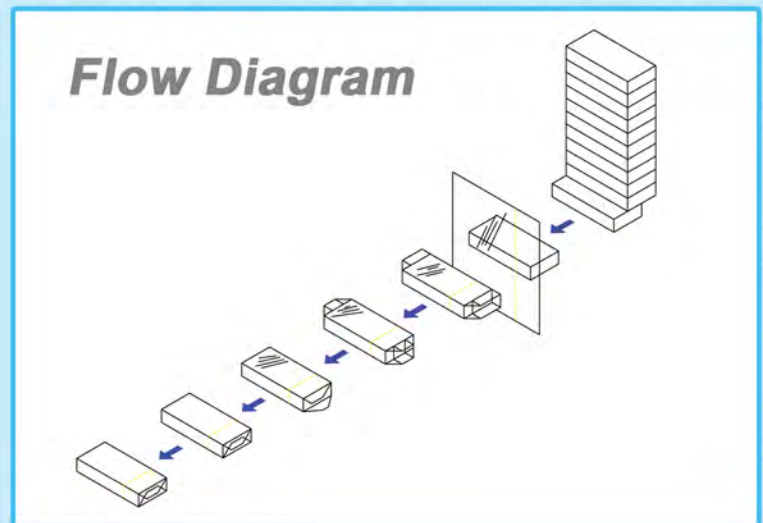
Speed: Adjustable to Max. 50 pcs/min.

Packaged Case dimension:

Length - 145mm (max.)

Width - 220mm (max.)

Height - 30mm (max.)



BC300 Collection Table

For collecting products from overwrapping machine



Specification:

Machine Dimension: 1200 x 650 x 900 mm

Power: 110 VAC Single Phase

Pneumatic System: 4 bars

Speed: 50 pcs/min.

Capacity (standard): 100 pcs for CD/DVD boxes